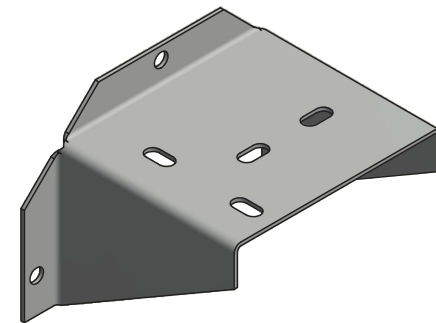
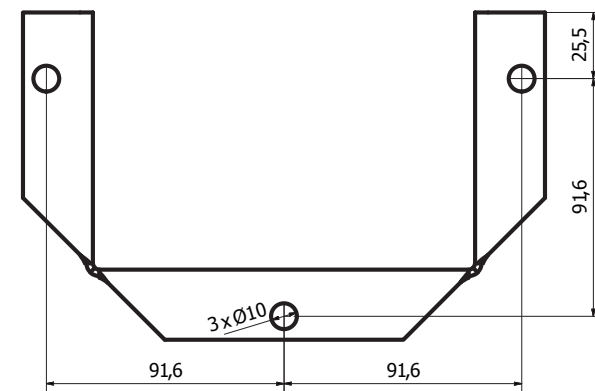
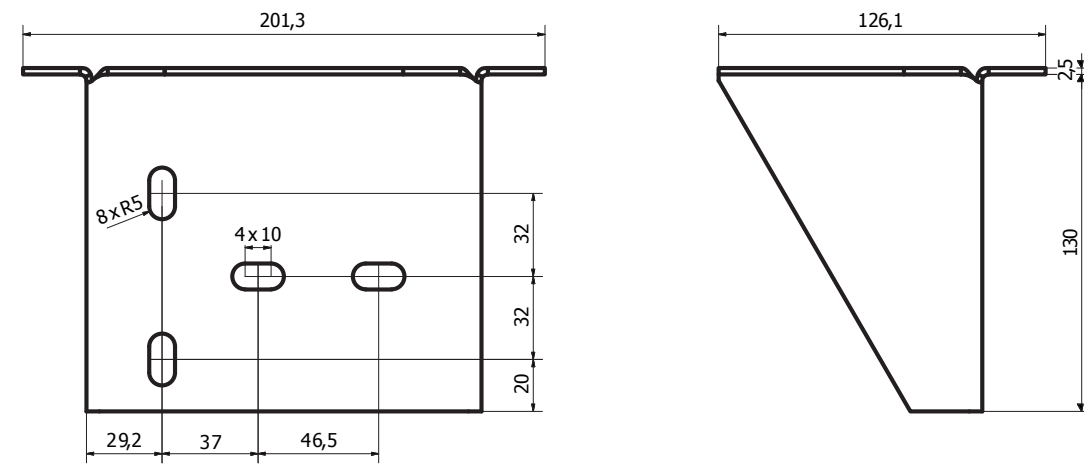


Goliath support plates: dimensions

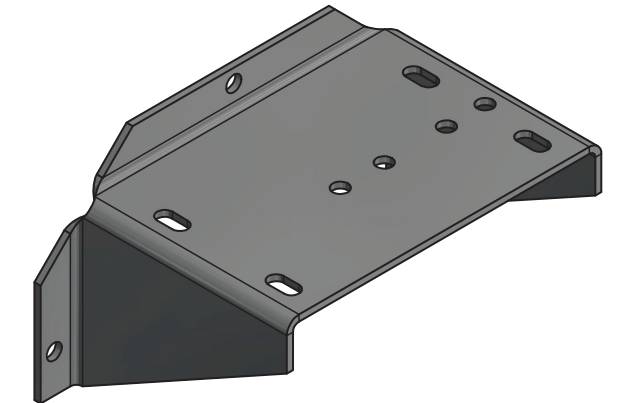
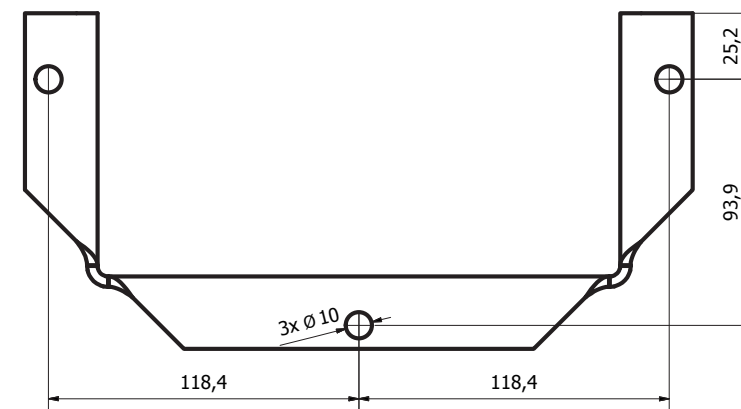
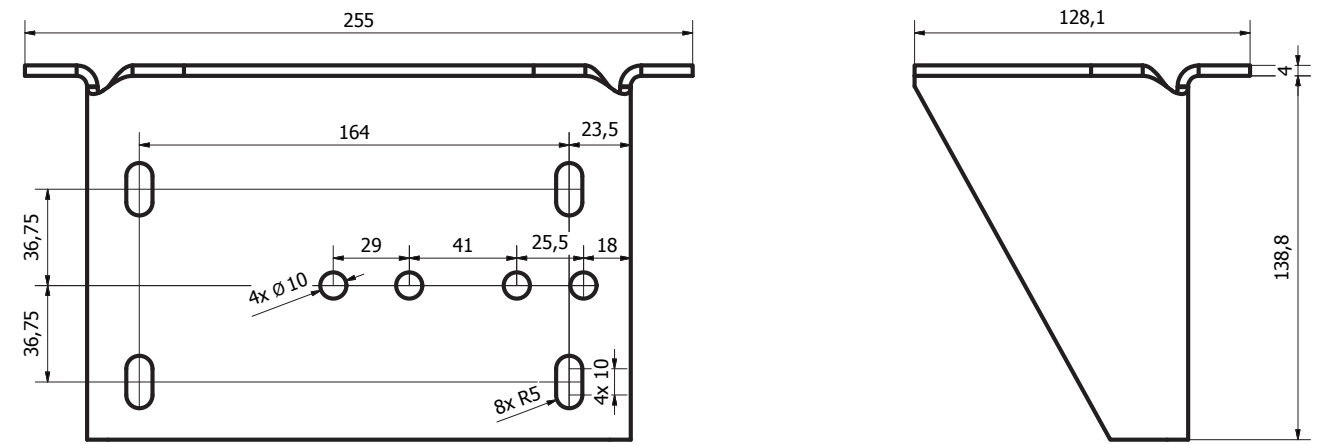
PF00471 - Support plate 1

Compatibility: **4AF - 3N1 - 5N1 - TR9**



PF01411 - Support plate 2

Compatibility: **6AF - 8AF - 12AF - 20AF - 7N1 - 9N1 - 16N2 - 16N2F - 25N3F**



PF56413 - Adapting plate for tube mounting

Compatibility: **TPV900 - TPV1200 - TPV1600
TPV2200 - TS700 - TS800 - TS900 - TS1200
TS1600 - TS2200**

